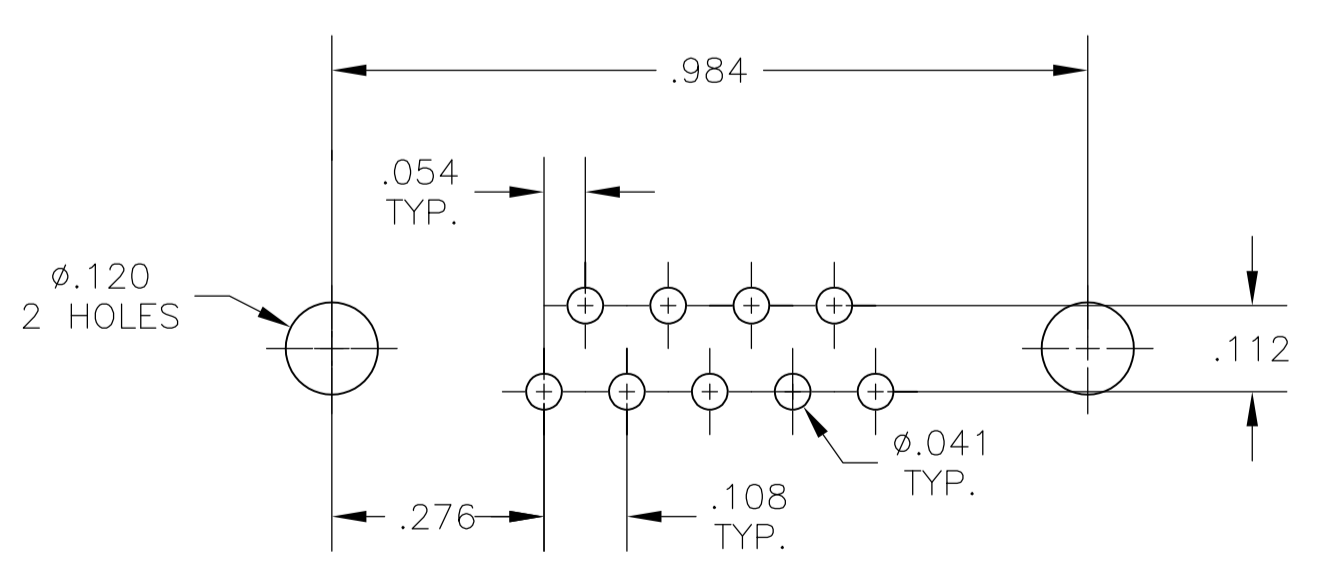
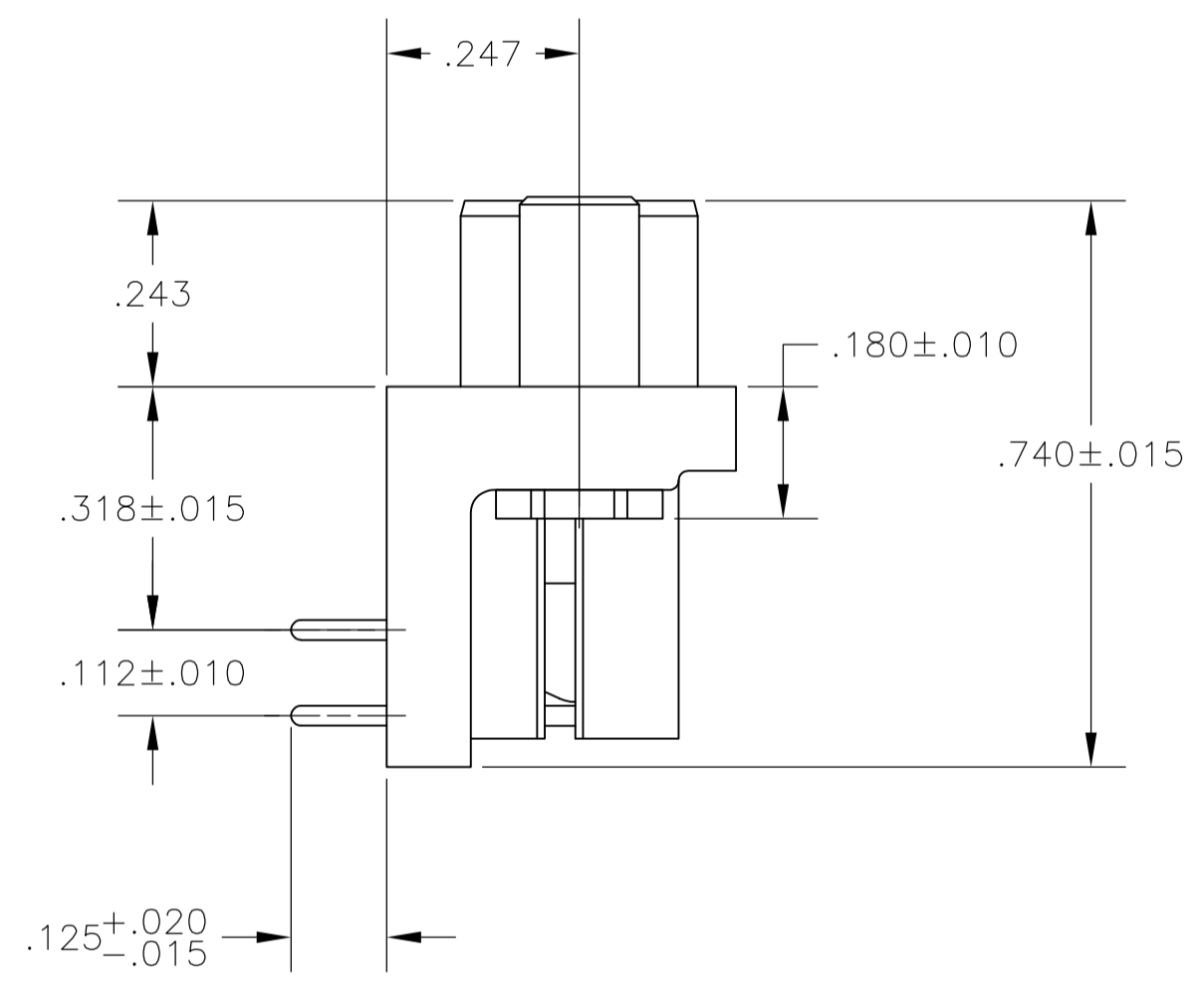
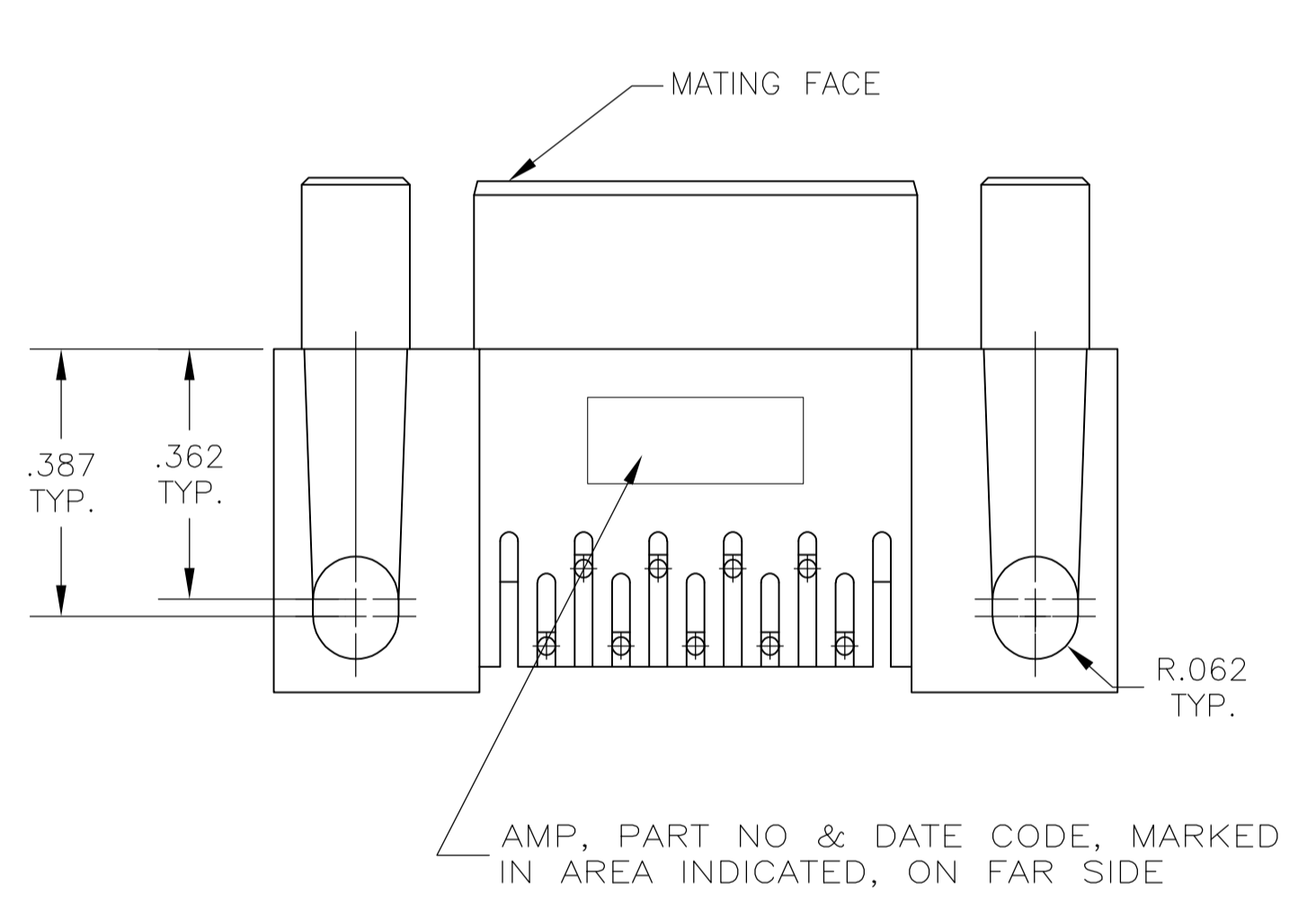
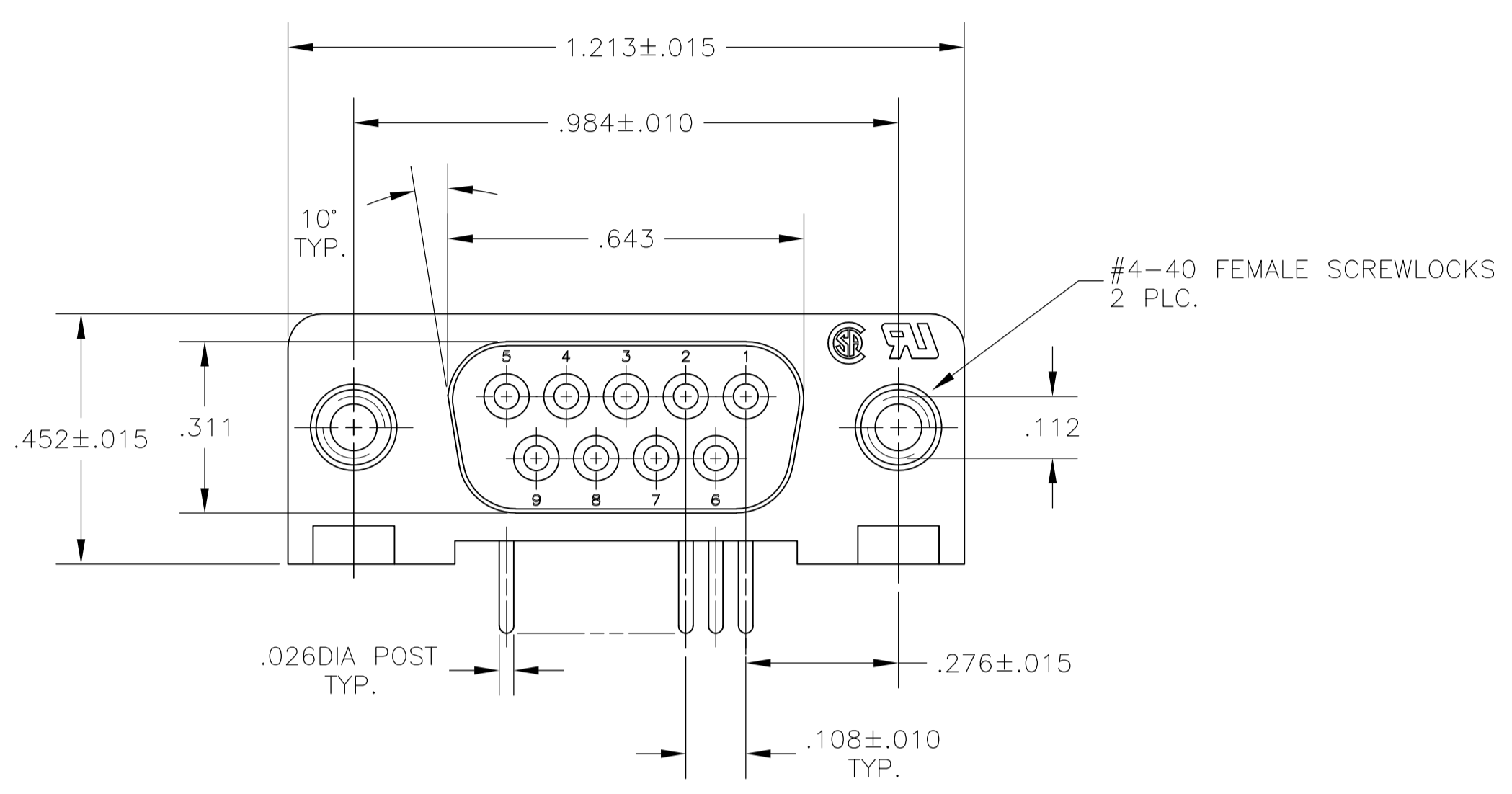


LOC		DIST		REVISIONS			
FT		32		REV	DESCRIPTION	DATE	BY
F1					REVISED PER ECO-09-024927	07NOV09	KK



P.C. BOARD MOUNTING DIMENSIONS $\triangle 3$

- $\triangle 1$ FLAME RETARDANT, 94V-0 RATED, GLASS FILLED NYLON OR POLYESTER, COLOR: BLACK.
- $\triangle 2$ PHOS. BRONZE PER QQ-B-750.
- $\triangle 3$ REFER TO APPLICATION SPEC FOR RECOMMENDED P.C. BOARD MOUNTING DIMENSIONS FOR AUTOMATIC INSERTION.
- $\triangle 4$ GOLD PLATING PER MIL-G-45204, TIN PLATING PER MIL-T-10727, NICKEL PLATING PER QQ-N-290.
- $\triangle 5$ PLATED WITH GOLD FLASH FOR LENGTH OF .055 MIN FROM MATING END, WITH POINT OF MEASUREMENT .035 FROM MATING END OF CONTACT, .000100-.000200 TIN OR TIN-LEAD ON SOLDER END, ALL OVER .000050 NICKEL ON ENTIRE CONTACT.
- $\triangle 6$ PLATED WITH .000030 GOLD FOR LENGTH OF .055 MIN FROM MATING END, WITH POINT OF MEASUREMENT .035 FROM MATING END OF CONTACT, .000100-.000200 TIN OR TIN-LEAD ON SOLDER END, ALL OVER .000050 NICKEL ON ENTIRE CONTACT.
- $\triangle 7$ OBSOLETE PARTS: OBSOLETE CIS STREAMLINING PER D.RENAUD/D.SINISI

\triangle SUPERSEDED	TUBES	$\triangle 6$	-745395-3-
	TRAYS	$\triangle 6$	745395-2
SUPSPD BY 745395-2	-	$\triangle 5$	745395-1
	PACKAGING	FINISH	PART NUMBER

THIS DRAWING IS A CONTROLLED DOCUMENT.		DIN S. WELDON 5-5-87	Tyco Electronics Corporation Harrisburg, Pa 17105-3608	
DIMENSIONS: INCHES		CHK C. RICHARD 5-5-87	APVD B. TAYLOR 5-5-87	
TOLERANCES UNLESS OTHERWISE SPECIFIED:		NAME: RECEPTACLE ASSY, SIZE 1, 9 POSN, RIGHT ANGLE, .318 SERIES, 0.026 POSTS, W/ FEMALE SCREWLOCKS, AMPLIMITE® HD-20		
0 PLC ± -		PRODUCT SPEC 108-40005		
1 PLC ± -		APPLICATION SPEC 114-40015		
2 PLC ± -		SIZE: 114-40015		
3 PLC ± .005		WEIGHT: -		
4 PLC ± -		SCALE: 4:1		
ANGLES ± °		SHEET 1 OF 1		
MATERIAL: MOLDED PARTS: CONTACTS: SCREWLOCKS: ZINC	FINISH: CONTACTS: SEE TABLE SCREWLOCKS: CLEAR CHROMATE	CUSTOMER DRAWING		
		REV F1		